



You can use the [Planning Portal](#) to find the correct email address for your local planning authority.

www.planningportal.gov.uk/localauthoritysearch

Notification for Prior Approval for a Proposed Larger Home Extension Town and Country Planning (General Permitted Development) Order 2015 Schedule 2, Part 1, Class A

This notification can be used by a household to notify a local planning authority of the intention to use the [permitted development rights](#) to build a single-storey rear extension of greater than four metres up to eight metres for a detached house and greater than three metres up to six metres for any other type of house outside Article 2(3) land* and sites of special scientific interest.

* Land within a National Park, the Broads, an area of outstanding natural beauty, an area designated as a conservation area and land within World Heritage Sites.

Publication of notifications on planning authority websites

Please note that the information provided on this notification and in supporting documents may be published on the Authority's website. If you require any further clarification, please contact the Authority's planning department.

Please note: you need to download the form to complete it electronically. Please complete using block capitals and black ink if sending by post. It is important that you read the accompanying guidance notes as incorrect completion will delay the consideration of your notification.

1. Householder Name and Address

Title:	<input type="text" value="Mr"/>	First name:	<input type="text" value="Liam"/>
Last name:	<input type="text" value="Wright"/>		
Company (optional):	<input type="text" value="South Tyneside Homes"/>		
Unit:	<input type="text"/>	House number:	<input type="text" value="51"/>
		House suffix:	<input type="text"/>
House name:	<input type="text" value="Westhope Road"/>		
Address 1:	<input type="text"/>		
Address 2:	<input type="text"/>		
Address 3:	<input type="text"/>		
Town:	<input type="text" value="South Shields"/>		
County:	<input type="text" value="Tyne & Wear"/>		
Country:	<input type="text" value="England"/>		
Postcode:	<input type="text" value="Ne34 6jt"/>		

2. Agent Name and Address

Title:	<input type="text"/>	First name:	<input type="text"/>
Last name:	<input type="text"/>		
Company (optional):	<input type="text"/>		
Unit:	<input type="text"/>	House number:	<input type="text"/>
		House suffix:	<input type="text"/>
House name:	<input type="text"/>		
Address 1:	<input type="text"/>		
Address 2:	<input type="text"/>		
Address 3:	<input type="text"/>		
Town:	<input type="text"/>		
County:	<input type="text"/>		
Country:	<input type="text"/>		
Postcode:	<input type="text"/>		

3. Site Address Details

Please provide the full postal address of the application site.

House number:	<input type="text" value="51"/>	House suffix:	<input type="text"/>
House name:	<input type="text" value="Westhope Road"/>		
Address 1:	<input type="text" value="South Shields"/>		
Address 2:	<input type="text" value="Tyne & Wear"/>		
Address 3:	<input type="text"/>		
Address 4:	<input type="text"/>		
Postcode:	<input type="text" value="Ne 34 6jt"/>		



Description of the Proposal

Please describe the proposed single-storey rear extension.
I propose to build a conservatory to the rear elevation.

3 Sides To Be Built up of STANDARD cavity Brickwork
with UPVC windows + Roof (Poly)

- (a) How far will the proposed extension extend beyond the rear wall of the original dwelling measured externally? metres
- (b) What will be the maximum height of the proposed extension, measured externally from the natural ground level? metres
- (c) What will be the height at the eaves of the proposed extension, measured externally from the natural ground level? metres
- (d) Is the property? (tick one only) (i) Detached (ii) Other

5. Addresses of any adjoining properties

You are required to identify and provide the addresses of all the adjoining premises to your property:

- Address 1:
- Address 2:
- Address 3:
- Address 4:
- Address 5:
- Address 6:
- Address 7:
- Address 8:

Please provide details of any additional adjoining premises on a separate sheet if necessary.

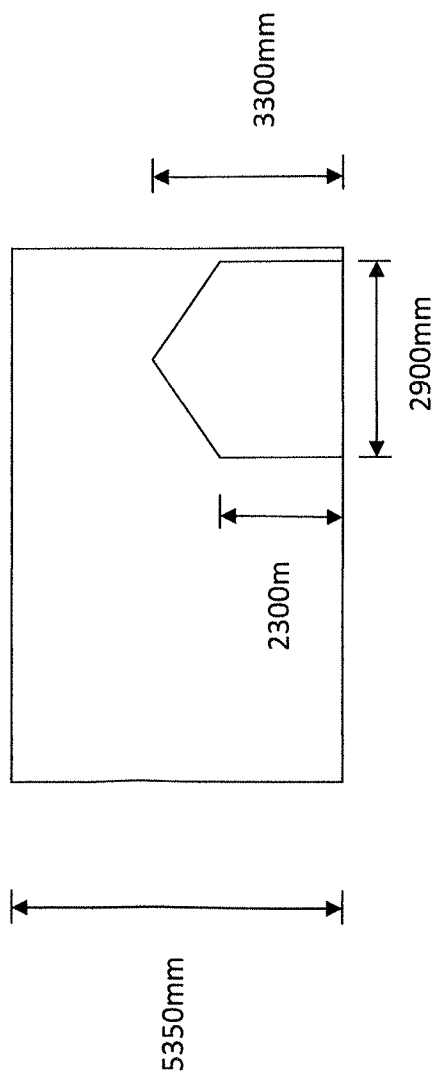
6. Checklist

Please read the following checklist to make sure you have sent all the information in support of your proposal. Failure to submit all information required could result in your notification being deemed invalid. It will not be considered valid until all information required by the Local Planning Authority has been submitted. Please note that as part of this procedure, if any objections are received the Local Planning Authority may require submission of further information at a later date.

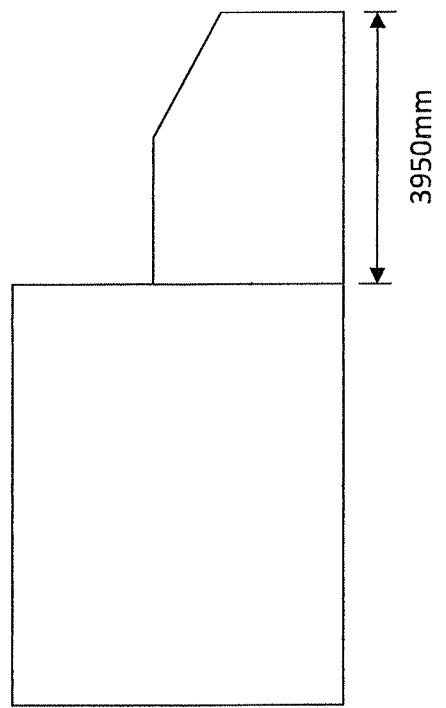
- All sections of this notification completed in full, dated and signed (typed signature if sent electronically).
- A plan indicating the site and showing the proposed development. A plan drawn to an identified scale will assist the authority in assessing your development proposal. Plans can be bought from one of our accredited suppliers using our Buy-a-Plan service (www.planningportal.gov.uk/buyaplan)

51 WESTHOPE ROAD SOUTH SHIELDS

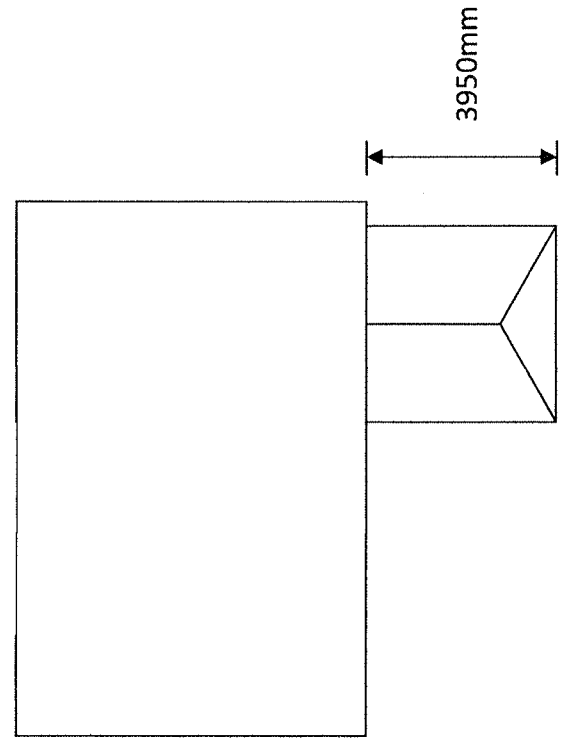
Rear Elevation



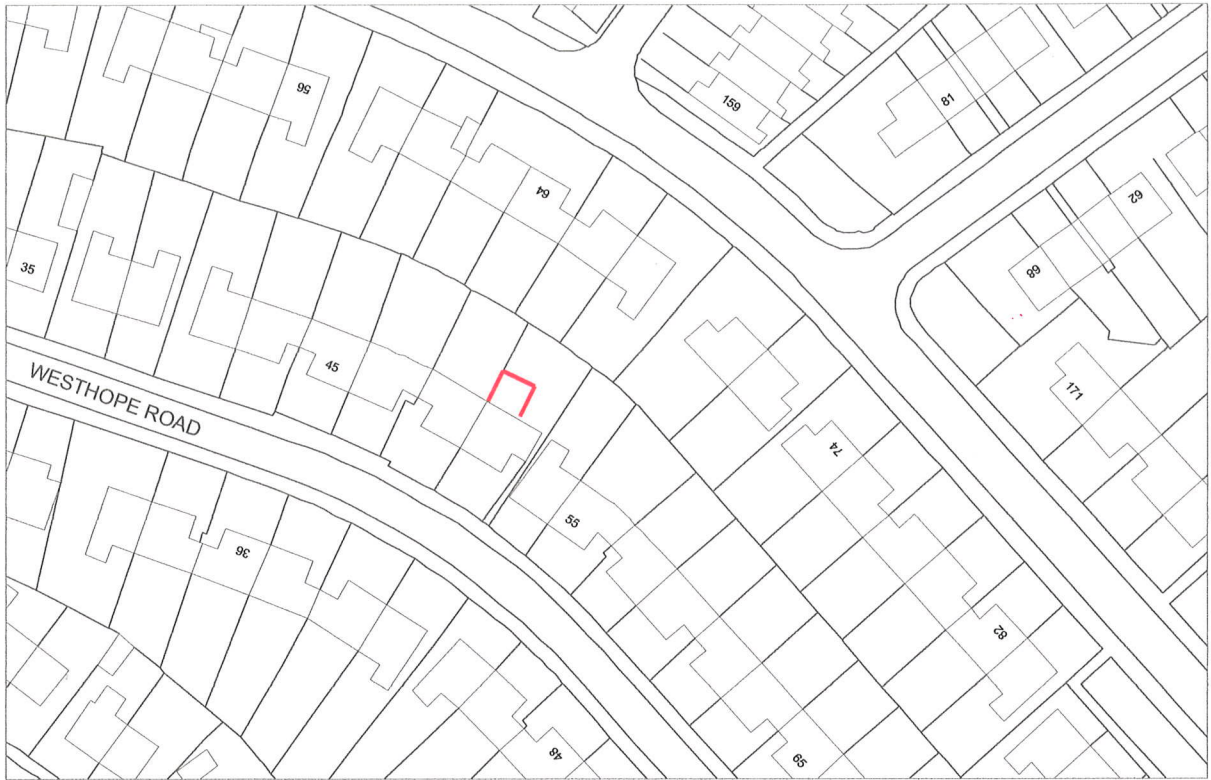
Side Elevation



Plan View



SOUTH TYNESIDE COUNCIL
09 JUL 2015



SOUTH TYNESIDE COUNCIL
09 JUL 2015
AREA PLANNING